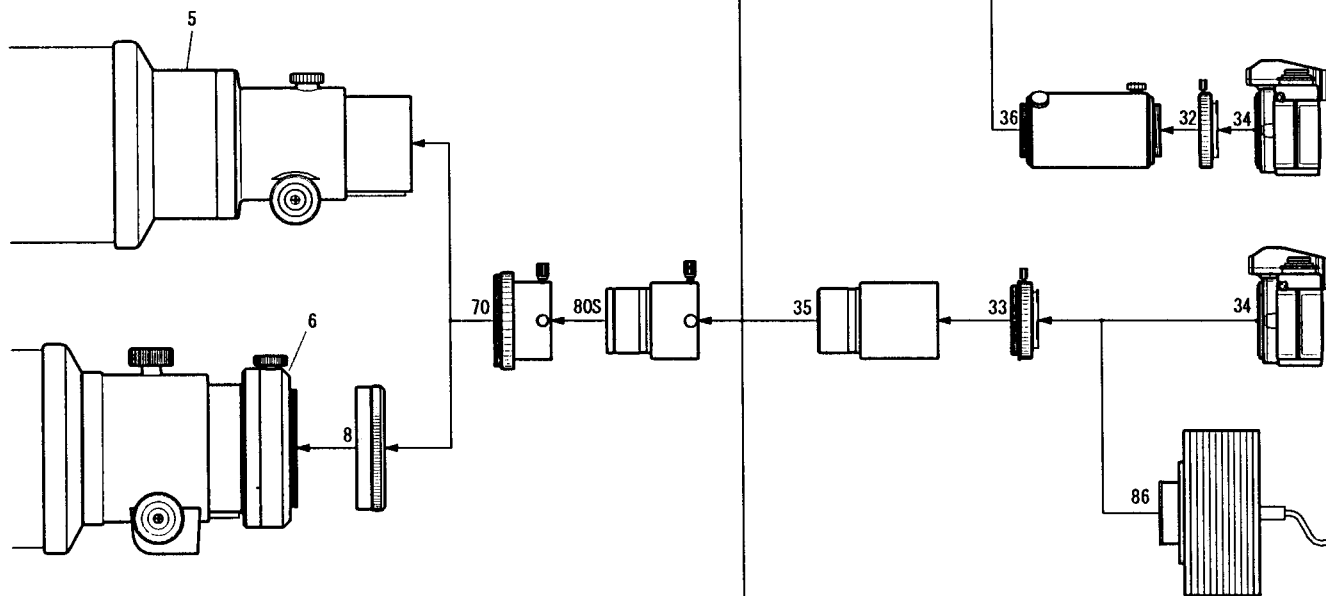


TOA-130/130F

35-Flattener System Chart

- 6. CAA [TKA30200]
- 8. Coupling(TW) [TKP31003]
- 13. 2" sleeve [TKP00113]
- 14. Coupling(S) [TKP00103]
- 32. T-mount
- 33. Wide T-mount
- 34. 35mm camera
- 35. CA35(2") [TKA31201]
- 36. TCA-4(1.25") [TKA00210]



- 46. Ocular adapter(1.25") [TKP00101]
- 47. Ocular(1.25")
- 60. Extender TOA 1.6x [TOA00595]
- 70. Ocular adapter(2") [TKP27110]
- 71L. Extension tube(L) [TKP31112]
- 74. Diagonal mirror(2") [TKA00543]
- 75. Adapter(DM)(1.25") [TKA00111]
- 80S. 35-Flattener [TKA31582]
- 96. CCD camera